

# AutoFill



**The AutoFill guarantees a continuous flow of hotmelt in the tank of the hotmelt unit. Manual refilling is no longer necessary. The AutoFill is available for each type of hotmelt unit.**

An adjustable sensor within the tank measures the hotmelt level. When the level of hotmelt is too low, the glue granulate will automatically be refilled. This will stop when the required amount of hotmelt has been reached. The alarm system will give a signal with a warning light and an optional siren in the occurrence of a malfunction or when the container is empty.



## Advantages of the AutoFill

- Minimalise charring of hotmelt in the tank through a constant glue supply
- Prevents environmental dust/pollution contamination in glue tank
- Makes filling easier and creates time saving for operators
- Safety: reduced risk of burns for operators
- More efficient energy use
- Prevents overfilling of the tank
- Prevents production downtime due to empty tanks

## Standard edition

- Container of 120 litres with window
- 4 metres long transport hose

## Additional options

- Siren
- Quick connection for air and detachable granulate hose
- Container of 240 litres
- Stainless steel container

**ELIMINATES  
DOWNTIME  
DUE TO  
EMPTY TANKS**

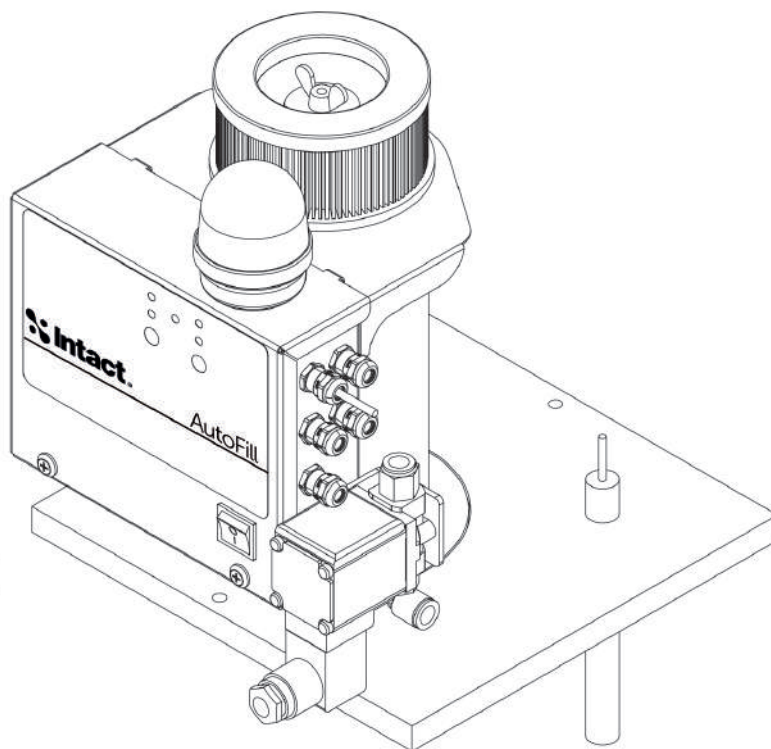
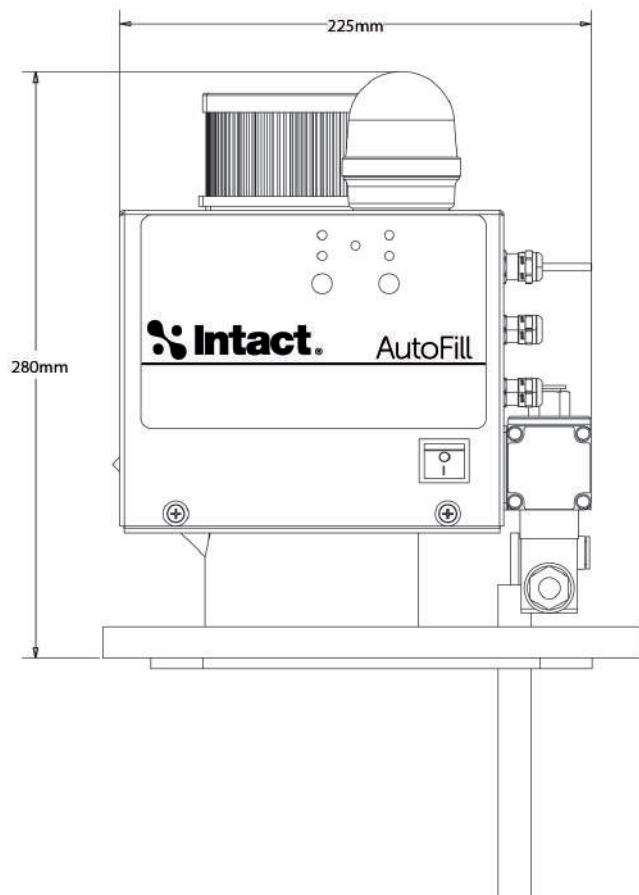
**PREVENTS  
OVERFILLING &  
CONTAMINATION**

**REDUCED  
BURN RISK  
FOR  
OPERATORS**



**Keep production going®**

# AutoFill



## Technical Specification

<b>Hotmelt supply</b>	> 5 kg per minute (Hotmelt dependant)
<b>Air pressure</b>	6 bar
<b>Air consumption</b>	400-500 litre per minute - when switching on
<b>Air</b>	Dry, oil-free
<b>Granulate hose</b>	Ø 32 mm internally
<b>Size filling tube</b>	Ø 140 x H 270 mm
<b>Supply voltage</b>	230 V/AC
<b>Transport height</b>	> 3 mtr
<b>Transport length</b>	> 30 mtr
<b>Manual</b>	English
<b>Warranty</b>	12 months on parts

Keep production going®